



MODEL NAME :RPM SPEED MONITOR WITH RELAY.
Model No. : LT4-MA5-RBB
4000 Series : Convertors, Multipliers, Repeaters and Speed Monitors.



Linphase Product portfolio is mainly divided into **4000,5000,6000** Series. Here we discuss about 4000 series . Linphase has taken interest in developing various isolators suitable for different variants of field devices, used widely in Process Automation Industry.

As per application and use our products vary in width of enclosure dimensions mainly **17.5mm,22.5mm,45mm and many more.**

We provide wide range of Voltage Supply to Isolators with SMPS Auxiliary (17-30VDC/19-27VAC & 90 to 253 VDC/VAC) Power Supply.

4000 Series with 3 Port Galvanic Transformer Isolation (1.5KVAC @ 50Hz) in between 3 (Input/Power/Output) sections.

4000 Series Isolators designed for wide configuration of **V(0-500mV/ 0-5V/0-10V) to I (0/4-20mA) or vice versa**, convertors as per requirement of Customer. Even voltage amplifying convertors (**0-500mV) to (0-5V/0-10V).**

4000 Series include Resistance (0-100/1000 Ohms) to Current (0/4-20mA) convertors.

4000 Series include Isolators for lower voltage operated **Resistance to Current Converter.**

4000 Series include conversion of **I/V transducer with AC Signal into I/V DC signal** respectively.

4000 Series include convertors for monitoring the direction of a motor rotating in forward or reverse direction.

4000 Series also include isolators for **Sensing and Transmitting Zero Speed of a Rotating Device of Various RPM.**

4000 Series include **Signal Convertors of Single/Dual and Splitter type** as per requirement and we can customize as per industry needs.

FEATURES :

- * RPM (0-5940) Speed Monitoring.
- * Microcontroller Based and Programable (Key Pad) at site and User Friendly.
- * Digital Display for Easy Configuration.
- * Availability of features Like Initial Time Delay & Nuisance Tripping Time Delay can be adjusted by Setting key.
- * Under Speed, Zero Speed and Over Speed can be setting through key.
- * Input Reverse Polarity Protected.
- * From a Sensor(PNP/NPN & NAMUR) used for sensing speed and providing Relay (NC, C, NO) for tripping.
- * Galvanic Isolation (1.5KVAC) between Input, Output and Power Supply Section.
- * Non Polarity Power Supply Connection.
- * Auxiliary Power Supply-230VAC

FUNCTION :

- * It is used for RPM Monitoring in the field in various applications like Cement, Sugar, Paper, Textile Industries ,Conveyors and many more.
- * It is mainly Din Rail mounted in Control Panel in safe area, Zone 2 .
- * It can also be placed in Flame Proof enclosure and can be supplied as per customer application and requirement.

We reserve the right to make alterations to the technical data, weights, dimensions, designs and products available Dated 10.09.2021 without prior notice. The illustrations cannot be considered binding.

MODEL NAME :RPM SPEED MONITOR WITH RELAY.
Model No. : LT4-MA5-RBB
4000 Series : Convertors, Multipliers, Repeaters and Speed Monitors.

TECHNICAL & CONNECTION DETAILS

GENERAL SPECIFICATION

Signal Type : Digital (PNP/ NPN and NAMUR Sensors)

AUXILIARY POWER SUPPLY SECTION SPECIFICATIONS : Terminals (19, 20).

Non Polarity Connections : Yes.

Power Supply Voltage : 230V AC

Maximum Power Consumption : ≤ 4.5 W

INPUT SECTION SPECIFICATIONS : Terminals (1+, 2-, 3 PNP-L, 4 NPN-L & 9-, 10+ NAMUR).

Input : PNP/ NPN and NAMUR Sensor at the field.

Min & Max Range RPM : 0-5940 RPM

Voltage for Sensor : 24VDC \pm 10%

OUTPUT SECTION SPECIFICATIONS : Terminals (11 NC, 12 C, 13 NO & 14 NC, 15 C, 16 NO)

Output Channels : DPDT Relay (NC, C, NO)

Current Rating : 5 Amp.

Operate time : 15 milli sec.

Release time : 10 milli sec.

MECHANICAL SPECIFICATIONS :

Dimensions (mm) : 109.5 x 55 x 75.

Protection Class : IP 40.

Connection : Screw Terminals.

Weight : Approx. 100 gm.

Colour : Grey.

MOC of Housing : ABS.

Mounting : Din Rail 35mm (Vertical / Horizontal).

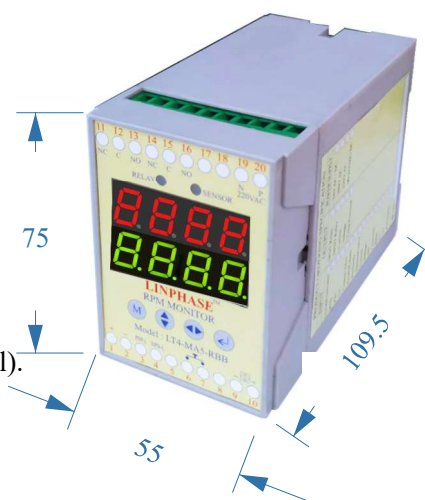
Ambient Temperature : -20°C to $+60^{\circ}\text{C}$.

DISPLAY INDICATIONS :

Display : 7 Sigmet LED (Red & Green)

Frequency LED : Yellow

Relay LED : Red

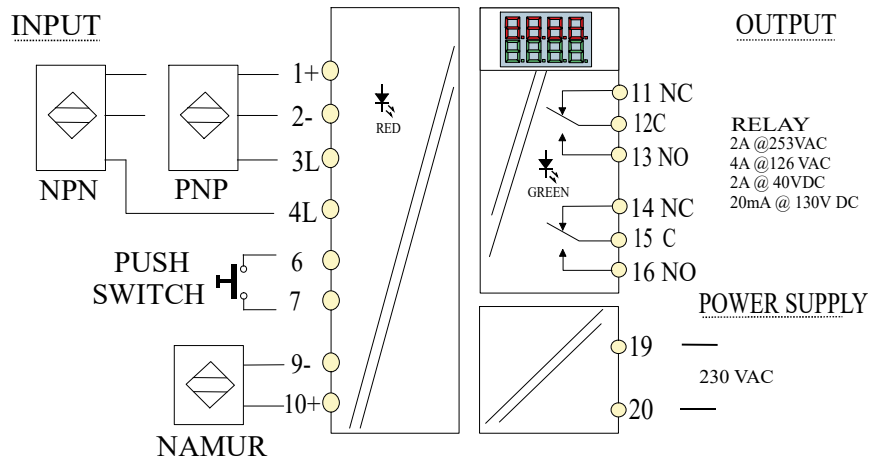


We reserve the right to make alterations to the technical data, weights, dimensions, designs and products available Dated 10.09.2021 without prior notice. The illustrations cannot be considered binding.

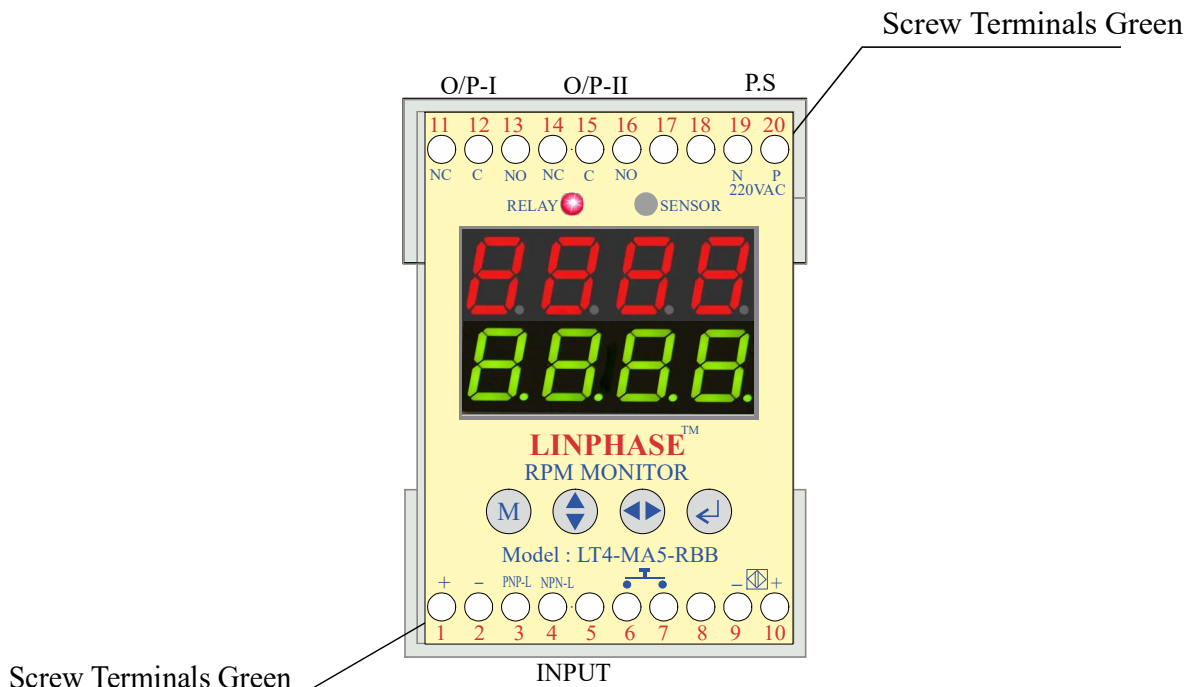
MODEL NAME :RPM SPEED MONITOR WITH RELAY.
Model No. : LT4-MA5-RBB
4000 Series : Convertors, Multipliers, Repeaters and Speed Monitors.

CONNECTION & WIRING DIAGRAM

MODEL NO :LT4-MA5-RBB



ASSEMBLY



We reserve the right to make alterations to the technical data, weights, dimensions, designs and products available Dated 10.09.2021 without prior notice. The illustrations cannot be considered binding.

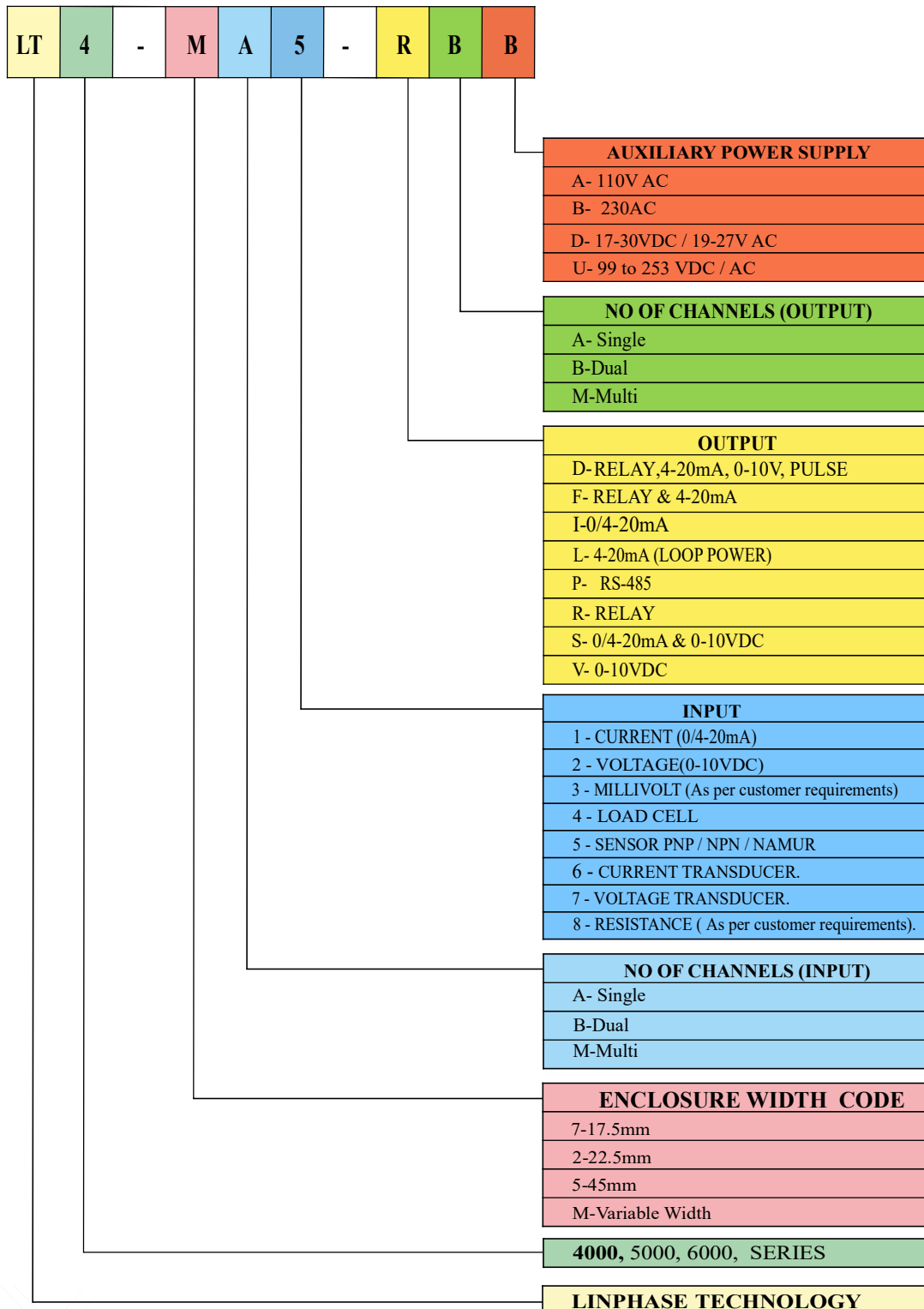
MODEL NAME :RPM SPEED MONITOR WITH RELAY.
Model No. : LT4-MA5-RBB
4000 Series : Convertors, Multipliers, Repeaters and Speed Monitors.



LINPHASE
 TECHNOLOGY PVT. LTD

ORDERING CHART

4000 Series: Sample Model LT4-MA5-RBB



We reserve the right to make alterations to the technical data, weights, dimensions, designs and products available Dated 10.09.2021 without prior notice. The illustrations cannot be considered binding.